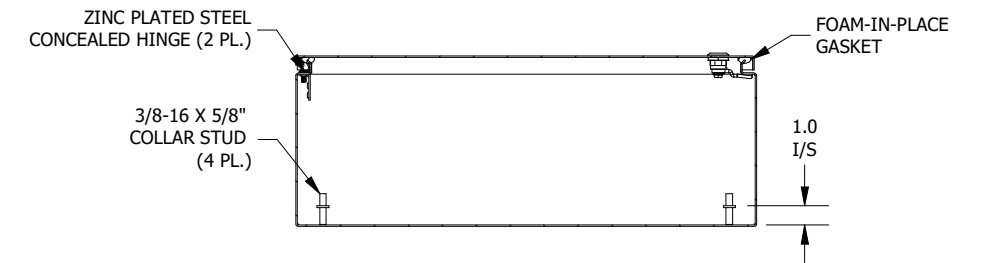
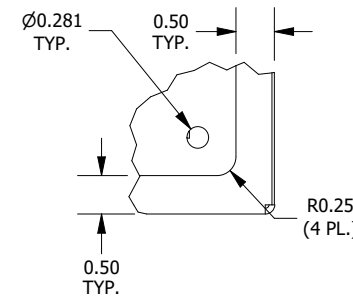
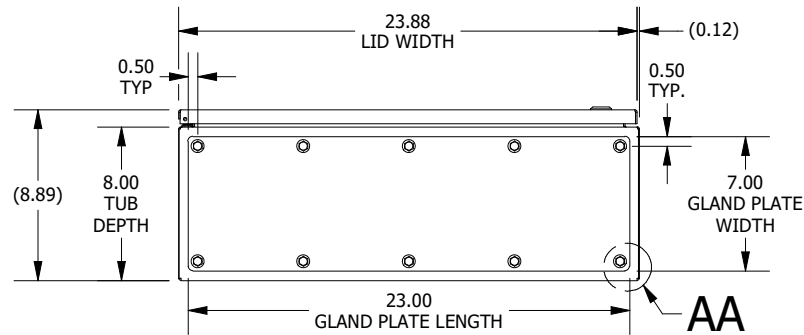
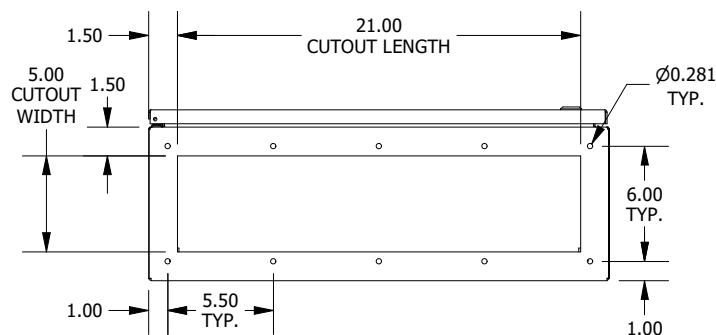


LEFT SIDE VIEW

FRONT VIEW

RIGHT SIDE VIEW

SECTION F-F
(INSIDE BACK OF ENCLOSURE)



BOTTOM VIEW
(WITHOUT GLAND PLATE)

BOTTOM VIEW

DETAIL AA
(WITHOUT BOLT AND WASHER)

SECTION G-G
(INSIDE TOP OF ENCLOSURE)

PART #:N412242408CGP
(DATA SUBJECT TO CHANGE WITHOUT NOTICE)
THIS DRAWING IS THE PROPERTY OF HUBBELL INC. WIEGMANN
ALL INFORMATION IS PROPRIETARY AND NOT TO BE DUPLICATED